

K291 AND K292

- IPC FUSE SWITCH DISCONNECTORS UP TO 160A

The Michaud fuse switch disconnecter is a single phase device that is installed on a pole or on a wall. It provides electrical protection to either an aerial service supplying an individual customer or for the low voltage circuit of a mole mounted transformer.

There are two types of Michaud FSD:

- **K291** - suits 100A 22 x 58 fuse links (according to IEC 269-2.1)
- **K292** - suits 160A size 00 DIN fuse links (according to IEC 269-2.1)

FEATURES

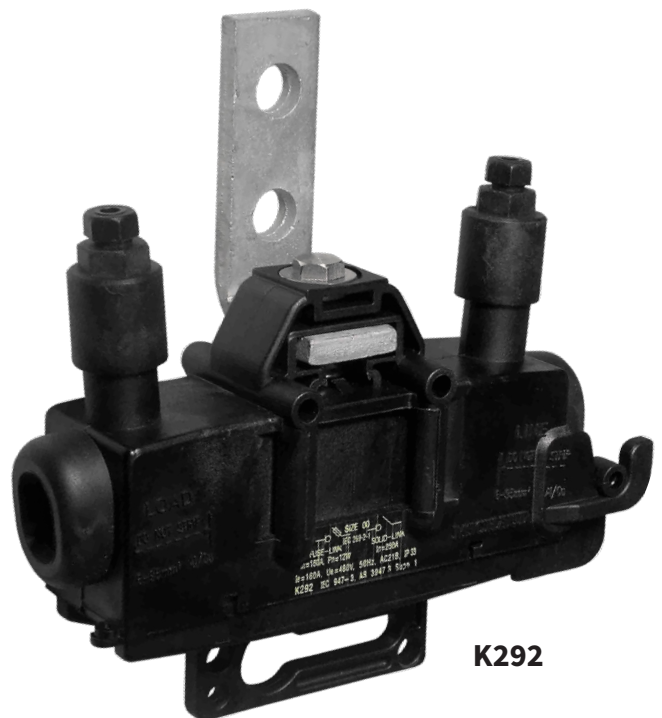
- Terminals are fully insulated, waterproof and bi-metallic.
- IPC connection
- Insulated cables from 6 up to 95mm².
- Shear head bolts for the perfect connection every time
- Cable entry from below for easier cable loop (avoiding water penetration from conductors)
- K291 operated by pigtail stick, K292 operated by hook stick
- Test points on each terminal are accessible without removing the fuse carrier
- Degree of protection is IP33
- Single and gang fuse brackets in straight and twisted orientation (supplied with BRAC002 as standard)
- UV Stabilised black body
- Double circlip for retention of fuse
- Captured fuse base, will stay in place even without fuselink
- Watertight cable entry points
- Up to 100amp (K291) and 160amp (K292)
- Test reports available on request
- Proven service reliability in harsh NZ environment

RATINGS

- | | | |
|-------------------------------------|---|--------------------------|
| • Rated operational voltage Ue | : | 500V |
| • Rated insulation voltage, Ui | : | 1,000V |
| • Rated frequency | : | 50 up to 60Hz |
| • Max rated operational current, Ie | : | 100A (K291), 160A (K292) |



K291



K292

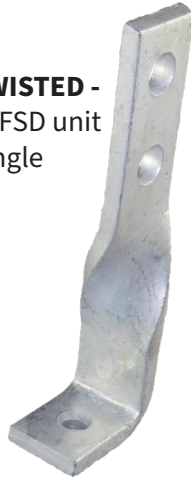
MICHAUD

BRACKETS

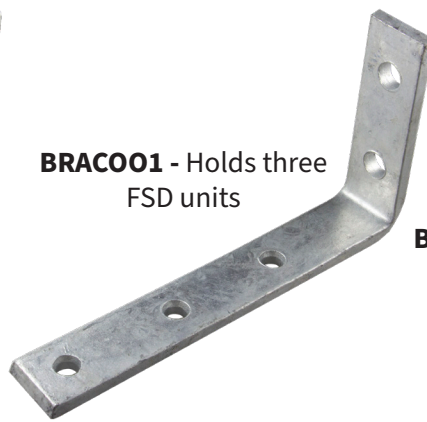
BRACOO2 - Holds single FSD unit



BRACOO2TWISTED - Holds single FSD unit at 90° angle



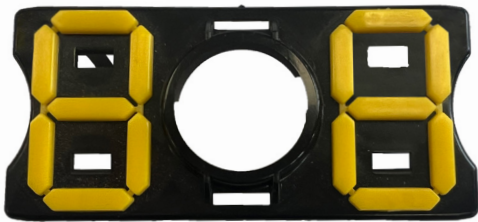
BRACOO1 - Holds three FSD units



BRACOO1TWISTED - Holds three FSD units at 90° angle



IDENTIFICATION PLATE

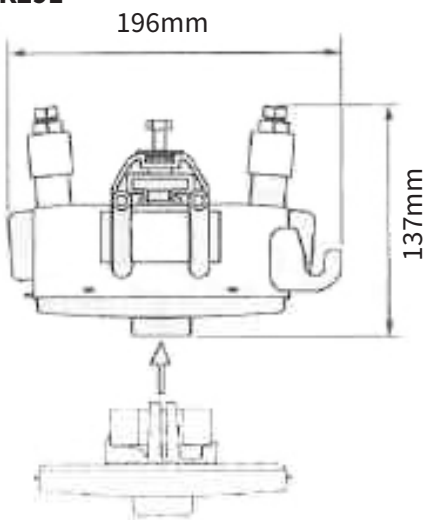


K492 - Customer identification number plate (K291 only)

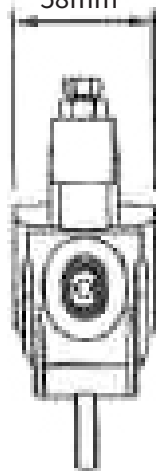


DIMENSIONS

K291



58mm



K292

